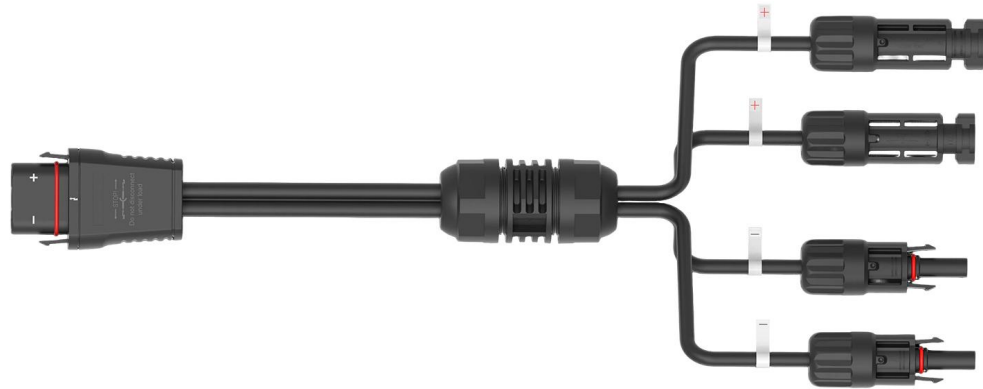


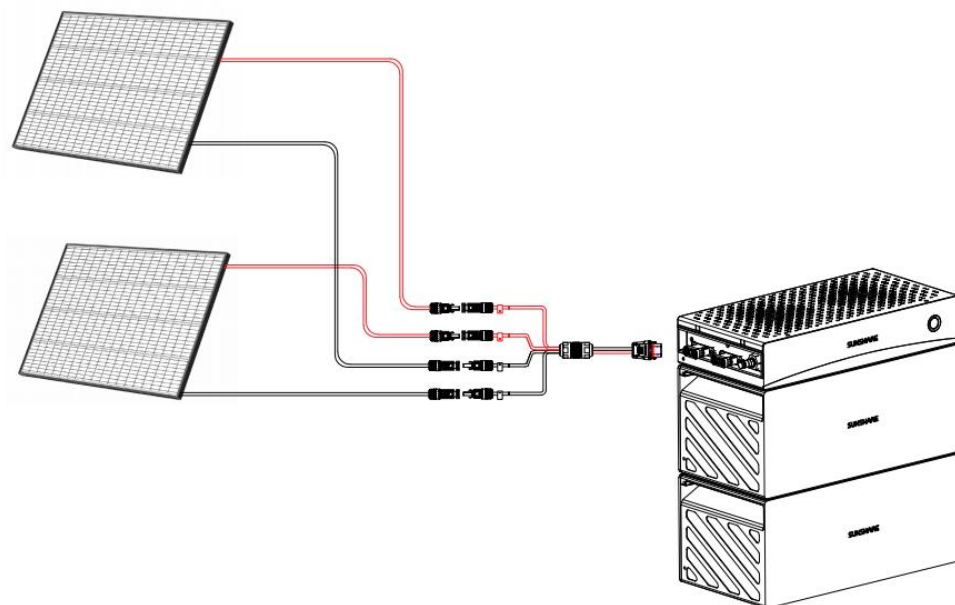
User Manual for 0.5m Extension Cable



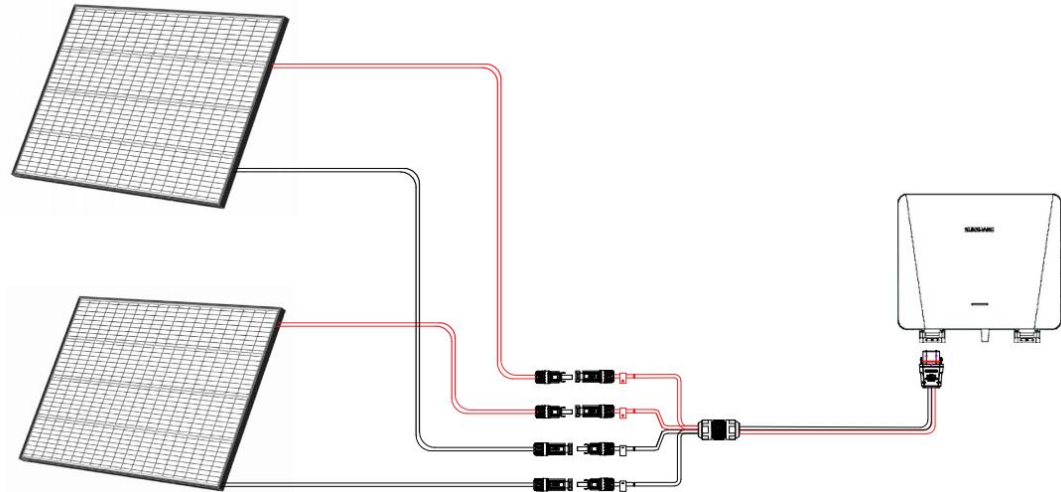
Cable Instructions:

- Conductor Material: Copper
- Model: Length 1.5m, 4mm², 30A
- Application: Connecting Sunshare's micro-inverters/balcony energy storage systems to solar photovoltaic panels of other brands

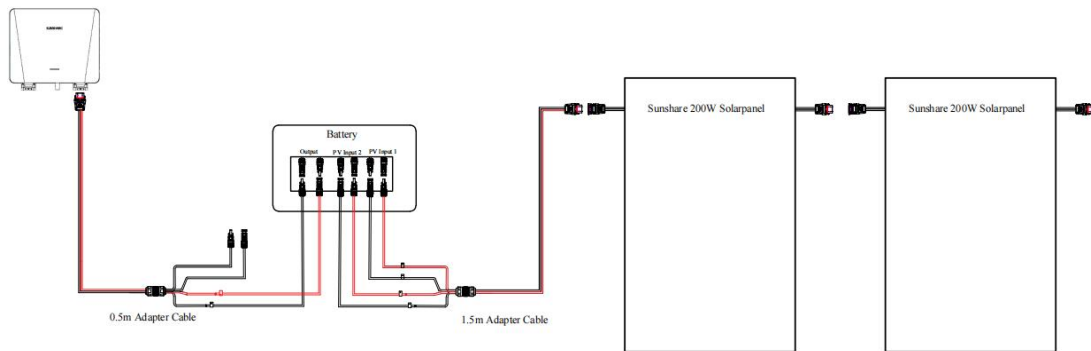
Please make connections in accordance with the schematic diagram:



a . Connecting Sunshare's Micro-storage System to Solar Panels of Other Brands



b . Connecting Sunshare's Micro-inverters to Solar Panels of Other Brands



c . Connecting Sunshare Solar Panels to Batteries of Other Brands

Precautions :

- This cable is used to connect Sunshare's micro-storage systems/inverters to solar panels of other brands.
- It should be noted that the allowable input voltage for each MPPT channel of Sunshare's micro-inverters/micro-storage systems is 60V, and the current is 30A.
- When connecting multiple solar panels, ensure that the system current does not exceed the maximum allowable input current of Sunshare's inverters/micro-storage systems.
- The solution in connection diagram c requires the combined use of a 1.5m extension cable and a 0.5m extension cable.